

To our customers,

---

## Old Company Name in Catalogs and Other Documents

---

On April 1<sup>st</sup>, 2010, NEC Electronics Corporation merged with Renesas Technology Corporation, and Renesas Electronics Corporation took over all the business of both companies. Therefore, although the old company name remains in this document, it is a valid Renesas Electronics document. We appreciate your understanding.

Renesas Electronics website: <http://www.renesas.com>

April 1<sup>st</sup>, 2010  
Renesas Electronics Corporation

Issued by: Renesas Electronics Corporation (<http://www.renesas.com>)

Send any inquiries to <http://www.renesas.com/inquiry>.

## Notice

1. All information included in this document is current as of the date this document is issued. Such information, however, is subject to change without any prior notice. Before purchasing or using any Renesas Electronics products listed herein, please confirm the latest product information with a Renesas Electronics sales office. Also, please pay regular and careful attention to additional and different information to be disclosed by Renesas Electronics such as that disclosed through our website.
2. Renesas Electronics does not assume any liability for infringement of patents, copyrights, or other intellectual property rights of third parties by or arising from the use of Renesas Electronics products or technical information described in this document. No license, express, implied or otherwise, is granted hereby under any patents, copyrights or other intellectual property rights of Renesas Electronics or others.
3. You should not alter, modify, copy, or otherwise misappropriate any Renesas Electronics product, whether in whole or in part.
4. Descriptions of circuits, software and other related information in this document are provided only to illustrate the operation of semiconductor products and application examples. You are fully responsible for the incorporation of these circuits, software, and information in the design of your equipment. Renesas Electronics assumes no responsibility for any losses incurred by you or third parties arising from the use of these circuits, software, or information.
5. When exporting the products or technology described in this document, you should comply with the applicable export control laws and regulations and follow the procedures required by such laws and regulations. You should not use Renesas Electronics products or the technology described in this document for any purpose relating to military applications or use by the military, including but not limited to the development of weapons of mass destruction. Renesas Electronics products and technology may not be used for or incorporated into any products or systems whose manufacture, use, or sale is prohibited under any applicable domestic or foreign laws or regulations.
6. Renesas Electronics has used reasonable care in preparing the information included in this document, but Renesas Electronics does not warrant that such information is error free. Renesas Electronics assumes no liability whatsoever for any damages incurred by you resulting from errors in or omissions from the information included herein.
7. Renesas Electronics products are classified according to the following three quality grades: “Standard”, “High Quality”, and “Specific”. The recommended applications for each Renesas Electronics product depends on the product’s quality grade, as indicated below. You must check the quality grade of each Renesas Electronics product before using it in a particular application. You may not use any Renesas Electronics product for any application categorized as “Specific” without the prior written consent of Renesas Electronics. Further, you may not use any Renesas Electronics product for any application for which it is not intended without the prior written consent of Renesas Electronics. Renesas Electronics shall not be in any way liable for any damages or losses incurred by you or third parties arising from the use of any Renesas Electronics product for an application categorized as “Specific” or for which the product is not intended where you have failed to obtain the prior written consent of Renesas Electronics. The quality grade of each Renesas Electronics product is “Standard” unless otherwise expressly specified in a Renesas Electronics data sheets or data books, etc.
  - “Standard”: Computers; office equipment; communications equipment; test and measurement equipment; audio and visual equipment; home electronic appliances; machine tools; personal electronic equipment; and industrial robots.
  - “High Quality”: Transportation equipment (automobiles, trains, ships, etc.); traffic control systems; anti-disaster systems; anti-crime systems; safety equipment; and medical equipment not specifically designed for life support.
  - “Specific”: Aircraft; aerospace equipment; submersible repeaters; nuclear reactor control systems; medical equipment or systems for life support (e.g. artificial life support devices or systems), surgical implantations, or healthcare intervention (e.g. excision, etc.), and any other applications or purposes that pose a direct threat to human life.
8. You should use the Renesas Electronics products described in this document within the range specified by Renesas Electronics, especially with respect to the maximum rating, operating supply voltage range, movement power voltage range, heat radiation characteristics, installation and other product characteristics. Renesas Electronics shall have no liability for malfunctions or damages arising out of the use of Renesas Electronics products beyond such specified ranges.
9. Although Renesas Electronics endeavors to improve the quality and reliability of its products, semiconductor products have specific characteristics such as the occurrence of failure at a certain rate and malfunctions under certain use conditions. Further, Renesas Electronics products are not subject to radiation resistance design. Please be sure to implement safety measures to guard them against the possibility of physical injury, and injury or damage caused by fire in the event of the failure of a Renesas Electronics product, such as safety design for hardware and software including but not limited to redundancy, fire control and malfunction prevention, appropriate treatment for aging degradation or any other appropriate measures. Because the evaluation of microcomputer software alone is very difficult, please evaluate the safety of the final products or system manufactured by you.
10. Please contact a Renesas Electronics sales office for details as to environmental matters such as the environmental compatibility of each Renesas Electronics product. Please use Renesas Electronics products in compliance with all applicable laws and regulations that regulate the inclusion or use of controlled substances, including without limitation, the EU RoHS Directive. Renesas Electronics assumes no liability for damages or losses occurring as a result of your noncompliance with applicable laws and regulations.
11. This document may not be reproduced or duplicated, in any form, in whole or in part, without prior written consent of Renesas Electronics.
12. Please contact a Renesas Electronics sales office if you have any questions regarding the information contained in this document or Renesas Electronics products, or if you have any other inquiries.

(Note 1) “Renesas Electronics” as used in this document means Renesas Electronics Corporation and also includes its majority-owned subsidiaries.

(Note 2) “Renesas Electronics product(s)” means any product developed or manufactured by or for Renesas Electronics.

# R2A20132SP

## Critical Conduction Mode Interleave PFC Control IC

REJ03D0921-0100  
Rev.1.00  
Oct 02, 2009

### Description

The R2A20132SP controls two boost converters to provide a active power factor correction.

The R2A20132SP is based on R2A20112 and additional functions are Slave drop function at light load, Off time control, Brownout, Double OVP, Dynamic under voltage protection, and ZCD signal open detection.

Also the reference voltage tolerance is improved.

The R2A20132SP adopts critical conduction mode for power factor correction and realizes high efficiency and a low switching noise by zero current switching.

Interleaving function improve ripple current on input or output capacitor by 180 degrees phase shift.

The feedback loop open detection, over current protection are built in the R2A20132SP, and can constitute a power supply system of high reliability with few external parts.

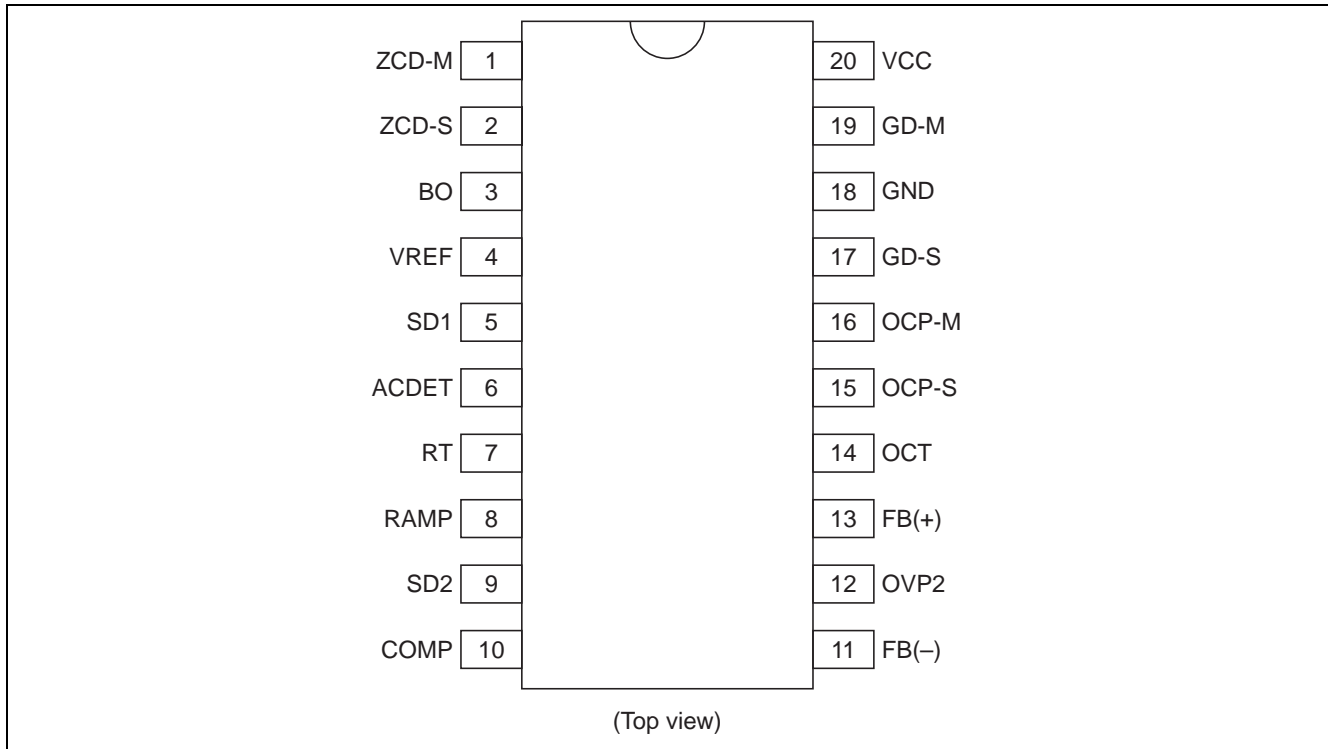
### Features

- Maximum ratings
  - Supply voltage Vcc: 24 V
  - Operating junction temperature Tj-opr: -40 to +150°C
- Electrical characteristics
  - VREF output voltage VREF: 5.0 V ± 1.5%
  - UVLO operation start voltage Vuvlh: 10.5 V ± 0.7 V
  - UVLO operation shutdown voltage Vuvll: 9.3 V ± 0.5 V
  - UVLO hysteresis voltage Hysvvl: 1.2 V ± 0.5 V
- Functions
  - Boost converter control with critical conduction mode
  - Interleaving control with slave drop (SD) function at light load
  - Off time control (OTC) function: Switching loss is decreased at light load.
  - Brownout function
  - Double OVP: Two line sense for over voltage protection
  - Dynamic under voltage protection (DUVP): Sense for under voltage protection
  - AC Hi voltage detection (ACDET)
  - Feedback loop open detection
  - ZCD signal open detection
  - Master and Slave independenced over current protection
  - 140 μs restart timer
  - Package lineup: Pb-free SOP-20

### Ordering Information

Part No.	Package Name	Package Code	Taping Spec.
R2A20132SPW0	FP-20DAV	PRSP0020DD-B	2000 pcs./one taping product

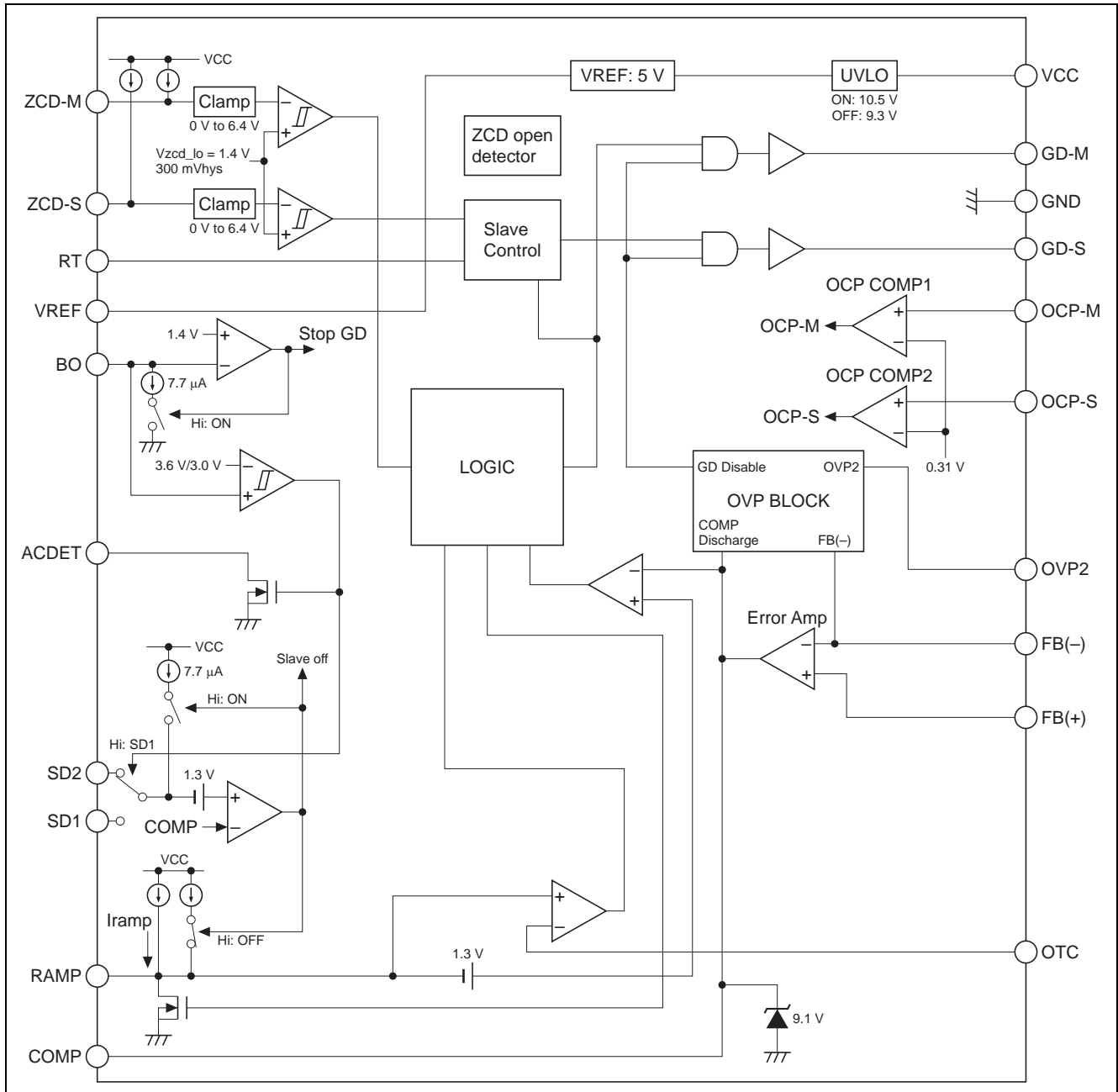
## Pin Arrangement



## Pin Functions

Pin No.	Pin Name	Input/Output	Function
1	ZCD-M	Input	Master converter zero current detection input terminal
2	ZCD-S	Input	Slave converter zero current detection input terminal
3	BO	Input	Brownout input terminal
4	VREF	Output	Reference voltage output terminal
5	SD1	Input	Slave drop threshold voltage input terminal (for Lo line: 100 V)
6	ACDET	Output	AC hi voltage detection output terminal
7	RT	Input/Output	Oscillator frequency setting terminal
8	RAMP	Input/Output	Ramp waveform setting terminal
9	SD2	Input	Slave drop threshold voltage change terminal (for Hi line: 200 V)
10	COMP	Output	Error amplifier output terminal
11	FB(-)	Input	Error amplifier input (-) terminal
12	OVP2	Input	Over voltage detection terminal
13	FB(+)	Input	Error amplifier input (+) terminal
14	OTC	Input	Off time control input terminal
15	OCP-S	Input	Slave converter over current detection terminal
16	OCP-M	Input	Master converter over current detection terminal
17	GD-S	Output	Slave converter Power MOSFET drive terminal
18	GND	—	Ground
19	GD-M	Output	Master converter Power MOSFET drive terminal
20	VCC	Input	Supply voltage terminal

Block Diagram



## Absolute Maximum Ratings

(Ta = 25°C)

Item	Symbol	Ratings	Unit	Note
Supply voltage	VCC	-0.3 to 24	V	
GD peak current	Ipk-gd	-300 +1200	mA	3
GD DC current	I <sub>dc-gd</sub>	-15 +60	mA	
ZCD terminal current	I <sub>zcd</sub>	+10 -10	mA	
BO terminal current	I <sub>bom</sub>	300	μA	
RT terminal current	I <sub>rt</sub>	-200	μA	
Vref terminal current	I <sub>ref</sub>	-5	mA	
COMP terminal current	I <sub>comp</sub>	±1	mA	
ACDET terminal current	I <sub>acdetm</sub>	500	μA	
Terminal voltage	Vt-group1	-0.3 to V <sub>cc</sub>	V	4
	Vt-group2	-0.3 to V <sub>ref</sub>	V	5
Vref terminal voltage	Vt-ref	-0.3 to V <sub>ref</sub> + 0.3	V	
Power dissipation	P <sub>t</sub>	1	W	6
Operating junction temperature	T <sub>j-opr</sub>	-40 to +150	°C	
Storage temperature	T <sub>stg</sub>	-55 to +150	°C	

- Notes:
- Rated voltages are with reference to the GND terminal.
  - For rated currents, inflow to the IC is indicated by (+), and outflow by (-).
  - Shows the transient current when driving a capacitive load.
  - This is the rated voltage for the following pins:  
RAMP, ACDET
  - This is the rated voltage for the following pins:  
FB(+), FB(-), OCP-M, OCP-S, OVP2, SD1, SD2, OTC
  - In case of R2A20132SP (SOP):  $\theta_{ja} = 120^{\circ}\text{C/W}$   
This value is a thing mounting on  $40 \times 40 \times 1.6$  [mm], a glass epoxy board of wiring density 10%.

## Electrical Characteristics

(Ta = 25°C, VCC = 12 V, RT = 22 kΩ, OCP = GND, CRAMP = 680 pF, FB(+) = 2.5 V, FB(-) = COMP, BO = 5 V, OVP2 = GND, SD1 = SD2 = GND)

Item	Symbol	Min	Typ	Max	Unit	Test Conditions	
Supply	UVLO turn-on threshold	Vuvlh	9.8	10.5	11.2	V	
	UVLO turn-off threshold	Vuvll	8.8	9.3	9.8	V	
	UVLO hysteresis	Hysvul	0.7	1.2	1.7	V	
	Standby current	Istby	—	150	230	μA	VCC = 8.9 V, ZCD = OPEN
	Operating current	Icc	—	5.2	7.5	mA	FB(-) = open
Brownout	BO threshold voltage	Vbo	1.33	1.40	1.47	V	
	BO pin hysteresis current	Ibo	6.9	7.7	8.5	μA	BO = 1 V
VREF	Output voltage	Vref	4.925	5.000	5.075	V	Isource = -1 mA
	Line regulation	Vref-line	—	5	20	mV	Isource = -1 mA, Vcc = 10 V to 24 V
	Load regulation	Vref-load	—	5	20	mV	Isource = -1 mA to -5 mA
	Temperature stability	dVref	—	±80	—	ppm/°C	Ta = -40 to +125°C *1
Error amplifier	Feedback voltage	Vfb(-)	2.462	2.500	2.538	V	FB(-)-COMP Short, RAMP = 0 V
	Input bias current1	Ifb(-)	-0.5	-0.3	-0.1	μA	Measured pin: FB(-), FB(-) = 3 V
	Input bias current2	Ifb(+)	0.1	0.3	0.5	μA	Measured pin: FB(+), FB(+) = 3 V
	Open loop gain	Av	—	50	—	dB	*1
	Upper clamp voltage	Vclamp-comp	8.0	9.1	10.6	V	FB(-) = 2.0 V, COMP: Open
	Low voltage	Vl-comp	—	0.1	0.3	V	FB(-) = 3.0 V, COMP: Open
	Source current1	Isrc-comp1	—	-120	—	μA	FB(-) = 0 V to 1.5 V, COMP = 2.5 V
	Source current2	Isrc-comp2	—	-1	—	mA	FB(-) = 3 V to 1.5 V, COMP = 2.5 V
	Sink current	Isrc-comp	—	300	—	μA	FB(-) = 3.5 V, COMP = 2.5 V *1
	Transconductance	gm	100	180	270	μs	FB(-) = 2.45 V ↔ 2.55 V, COMP = 2.5 V
RAMP	RAMP charge current1	Ic-ramp1	72	82	92	μA	RAMP = 0 V to 7 V, FB(-) = 2 V, COMP = 2 V, SD2 = 2.5 V
	RAMP charge current2	Ic-ramp2	150	165	180	μA	RAMP = 0 V to 7 V, FB(-) = 2 V, COMP = 5 V, SD2 = 2.5 V
	RAMP discharge current	Id-ramp	7	15	29	mA	FB(-) = 3 V, COMP = 2 V, RAMP = 1 V
	Low voltage	Vl-ramp	—	17	200	mV	FB(-) = 3 V, COMP = 3 V, Isink = 100 μA
Zero current detector	Upper clamp voltage	Vzcdh	5.8	6.4	7.0	V	Isource = -3 mA
	Lower clamp voltage	Vzcdl	-0.5	0	0.5	V	Isink = 3 mA
	ZCD low threshold voltage	Vzcd-lo	0.95	1.40	1.65	V	*1
	ZCD hysteresis	Hyszcd	180	300	390	mV	*1
	Input bias current	Izcd	-14	-10	-6	μA	1.2 V < Vzcd < 5 V

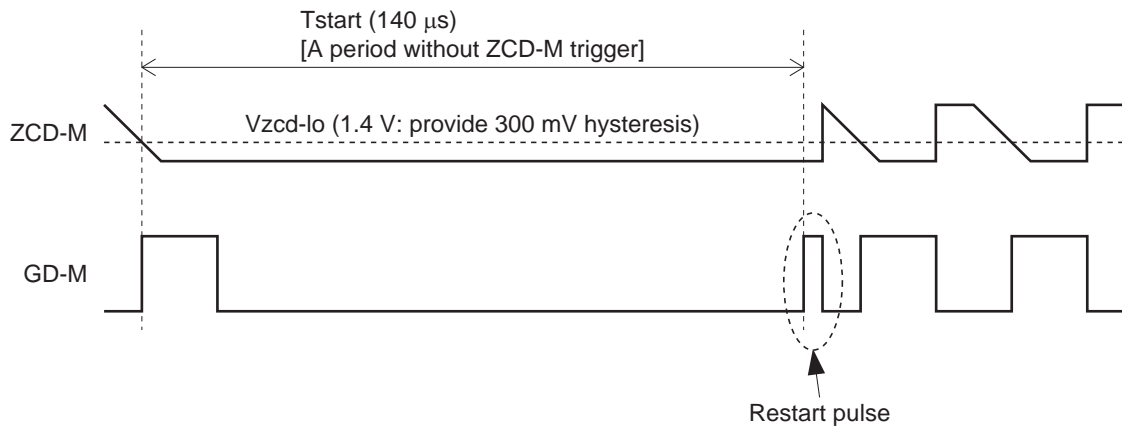
Note: 1. Design spec.

**Electrical Characteristics (cont.)**

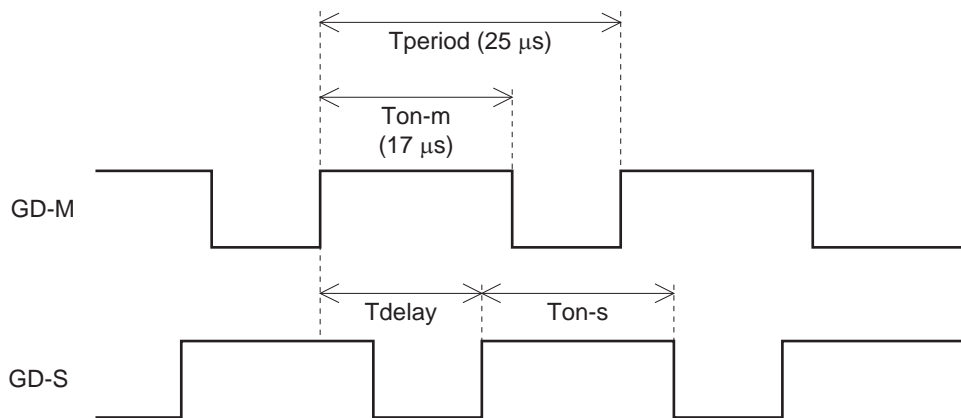
(Ta = 25C, VCC = 12 V, RT = 22 kΩ, OCP = GND, CRAMP = 680 pF, FB(+) = 2.5 V, FB(-) = COMP, BO = 5 V, OVP2 = GND, SD1 = SD2 = GND)

Item	Symbol	Min	Typ	Max	Unit	Test Conditions	
Restart	Restart time delay	Tstart	105	140	175	μs	FB(-) = 2.0 V, COMP = 5 V *2
ACDET	ACDET current	Iacdet	0	1	2	μA	Vacdet = 12 V, Vbo = 3.3 V
	ACDET voltage	Vacdet	0.2	0.4	0.6	V	Iacdet = 500 μA, Vbo = 3.7 V
	High threshold voltage	Vacdet-hi	3.2	3.6	4.0	V	Measured Pin: BO
	Low threshold voltage	Vacdet-lo	2.6	3.0	3.4	V	Measured Pin: BO
Slave control	Phase delay	Phase	160	180	200	deg	*1, *3
	On time ratio	Ton-ratio	-5	—	5	%	*1, *3
Slave drop	Input bias current	I <sub>sd1</sub>	-1.0	-0.5	1.0	μA	SD1 = 1 V, COMP = 4 V, FB(-) = 0 V
		I <sub>sd2</sub>	-1.0	-0.5	1.0	μA	SD2 = 1 V, COMP = 4 V, FB(-) = 0 V
	SD pin hysteresis current	I <sub>sd-hys</sub>	-8.5	-7.7	-6.9	μA	SD1 = 2 V, BO = 2 V, COMP = 2 V, FB(-) = 0 V
Off time control	Input bias current	I <sub>otc</sub>	-1.0	0	1.0	μA	OTC = 3 V

- Note: 1. Design spec.  
2.



- 3.



$$\text{Phase} = \frac{T_{\text{delay}}}{T_{\text{period}}} \times 360 \text{ [deg]}$$

$$\text{Ton-ratio} = \left(1 - \frac{T_{\text{on-s}}}{T_{\text{on-m}}}\right) \times 100 \text{ [%]}$$



## Electrical Characteristics (cont.)

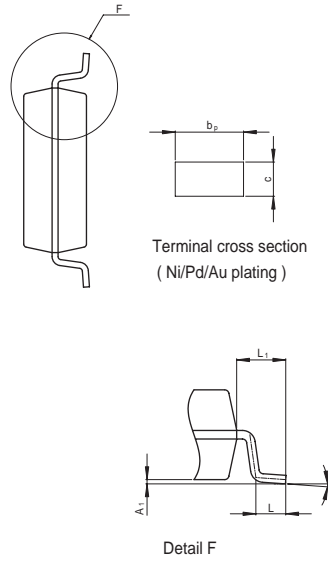
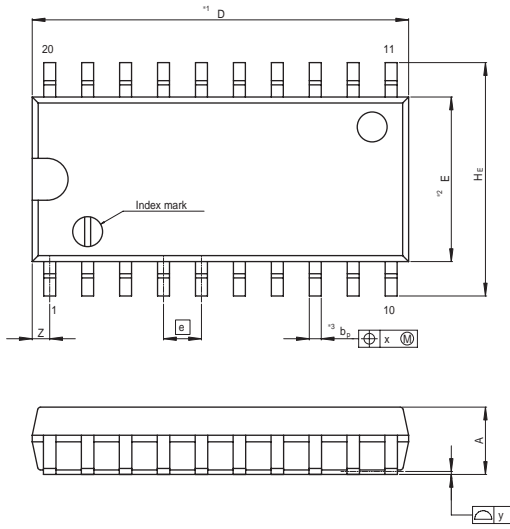
( $T_a = 25^\circ\text{C}$ ,  $V_{CC} = 12\text{ V}$ ,  $R_T = 22\text{ k}\Omega$ ,  $OCP = GND$ ,  $CRAMP = 680\text{ pF}$ ,  $FB(+) = 2.5\text{ V}$ ,  $FB(-) = COMP$ ,  $BO = 5\text{ V}$ ,  $OVP2 = GND$ ,  $SD1 = SD2 = GND$ )

Item		Symbol	Min	Typ	Max	Unit	Test Conditions
Gate drive	Master gate drive rise time	tr-gdm	—	30	100	ns	GD-M: 1.2 V to 10.8 V, CL = 100 pF
	Slave gate drive rise time	tr-gds	—	30	100	ns	GD-S: 1.2 V to 10.8 V, CL = 100 pF
	Master gate drive fall time	tf-gdm	—	5	30	ns	GD-M: 10.8 V to 1.2 V, CL = 100 pF
	Slave gate drive fall time	tf-gds	—	5	30	ns	GD-S: 10.8 V to 1.2 V, CL = 100 pF
	Master gate drive low voltage	Vol1-gdm	—	0.02	0.1	V	Isink = 2 mA
		Vol2-gdm	—	0.01	0.2	V	Isink = 1 mA, $V_{CC} = 5\text{ V}$
	Master gate drive high voltage	Voh-gdm	11.5	11.9	—	V	Isource = -2 mA
	Slave gate drive low voltage	Vol1-gds	—	0.02	0.1	V	Isink = 2 mA
		Vol2-gds	—	0.01	0.2	V	Isink = 1 mA, $V_{CC} = 5\text{ V}$
Slave gate drive high voltage	Voh-gds	11.5	11.9	—	V	Isource = -2 mA * <sup>1</sup>	
Over current protection	OCP threshold voltage	Vocp	0.28	0.31	0.34	V	
Over voltage protection	Dynamic OVP threshold voltage	Vdovp	VFB(+) $\times 1.035$	VFB(+) $\times 1.050$	VFB(+) $\times 1.065$	V	COMP = OPEN
	OVP1 threshold voltage	Vovp1	VFB(+) $\times 1.075$	VFB(+) $\times 1.090$	VFB(+) $\times 1.105$	V	COMP = OPEN
	OVP1 hysteresis	Hys-ovp1	50	100	150	mV	COMP = OPEN
	FB(-) open detect threshold voltage	Vfbopen	0.45	0.50	0.55	V	COMP = OPEN
	FB(-) open detect hysteresis	Hysfbopen	0.16	0.20	0.24	V	COMP = OPEN
	OVP2 threshold voltage	Vovp2	2.635	2.685	2.735	V	COMP = OPEN, VFB(-) = 2.5 V
	OVP2 hysteresis	Hys-ovp2	50	100	150	mV	COMP = OPEN, VFB(-) = 2.5 V
	OVP2 pin input bias current	lovp2	-0.5	0	0.5	$\mu\text{A}$	Measured pin: OVP2
Dynamic UVP threshold voltage	Vduvp	VFB(+) $\times 0.89$	VFB(+) $\times 0.92$	VFB(+) $\times 0.95$	V	COMP = OPEN	
ZCD open detector	Slave ZCD open minimum detect delay time	tzcds	—	100	—	ms	COMP = 5 V, Gate drive 10 kHz * <sup>1</sup>

Note: 1. Design spec.

### Package Dimensions

JEITA Package Code	RENESAS Code	Previous Code	MASS[Typ.]
P-SOP20-5.5x12.6-1.27	PRSP0020DD-B	FP-20DAV	0.31g



NOTE)  
1. DIMENSIONS\*1 (Nom)\*AND\*2\*  
DO NOT INCLUDE MOLD FLASH.  
2. DIMENSION\*3\*DOES NOT  
INCLUDE TRIM OFFSET.

Reference Symbol	Dimension in Millimeters		
	Min	Nom	Max
D	—	12.60	13.0
E	—	5.50	—
A <sub>2</sub>	—	—	—
A <sub>1</sub>	0.00	0.10	0.20
A	—	—	2.20
b <sub>p</sub>	0.34	0.40	0.46
b <sub>1</sub>	—	—	—
c	0.15	0.20	0.25
c <sub>1</sub>	—	—	—
θ	0°	—	8°
H <sub>E</sub>	7.50	7.80	8.00
ⓐ	—	1.27	—
x	—	—	0.12
y	—	—	0.15
Z	—	—	0.80
L	0.50	0.70	0.90
L <sub>1</sub>	—	1.15	—

Notes:

1. This document is provided for reference purposes only so that Renesas customers may select the appropriate Renesas products for their use. Renesas neither makes warranties or representations with respect to the accuracy or completeness of the information contained in this document nor grants any license to any intellectual property rights or any other rights of Renesas or any third party with respect to the information in this document.
2. Renesas shall have no liability for damages or infringement of any intellectual property or other rights arising out of the use of any information in this document, including, but not limited to, product data, diagrams, charts, programs, algorithms, and application circuit examples.
3. You should not use the products or the technology described in this document for the purpose of military applications such as the development of weapons of mass destruction or for the purpose of any other military use. When exporting the products or technology described herein, you should follow the applicable export control laws and regulations, and procedures required by such laws and regulations.
4. All information included in this document such as product data, diagrams, charts, programs, algorithms, and application circuit examples, is current as of the date this document is issued. Such information, however, is subject to change without any prior notice. Before purchasing or using any Renesas products listed in this document, please confirm the latest product information with a Renesas sales office. Also, please pay regular and careful attention to additional and different information to be disclosed by Renesas such as that disclosed through our website. (<http://www.renesas.com>)
5. Renesas has used reasonable care in compiling the information included in this document, but Renesas assumes no liability whatsoever for any damages incurred as a result of errors or omissions in the information included in this document.
6. When using or otherwise relying on the information in this document, you should evaluate the information in light of the total system before deciding about the applicability of such information to the intended application. Renesas makes no representations, warranties or guarantees regarding the suitability of its products for any particular application and specifically disclaims any liability arising out of the application and use of the information in this document or Renesas products.
7. With the exception of products specified by Renesas as suitable for automobile applications, Renesas products are not designed, manufactured or tested for applications or otherwise in systems the failure or malfunction of which may cause a direct threat to human life or create a risk of human injury or which require especially high quality and reliability such as safety systems, or equipment or systems for transportation and traffic, healthcare, combustion control, aerospace and aeronautics, nuclear power, or undersea communication transmission. If you are considering the use of our products for such purposes, please contact a Renesas sales office beforehand. Renesas shall have no liability for damages arising out of the uses set forth above.
8. Notwithstanding the preceding paragraph, you should not use Renesas products for the purposes listed below:
  - (1) artificial life support devices or systems
  - (2) surgical implantations
  - (3) healthcare intervention (e.g., excision, administration of medication, etc.)
  - (4) any other purposes that pose a direct threat to human lifeRenesas shall have no liability for damages arising out of the uses set forth in the above and purchasers who elect to use Renesas products in any of the foregoing applications shall indemnify and hold harmless Renesas Technology Corp., its affiliated companies and their officers, directors, and employees against any and all damages arising out of such applications.
9. You should use the products described herein within the range specified by Renesas, especially with respect to the maximum rating, operating supply voltage range, movement power voltage range, heat radiation characteristics, installation and other product characteristics. Renesas shall have no liability for malfunctions or damages arising out of the use of Renesas products beyond such specified ranges.
10. Although Renesas endeavors to improve the quality and reliability of its products, IC products have specific characteristics such as the occurrence of failure at a certain rate and malfunctions under certain use conditions. Please be sure to implement safety measures to guard against the possibility of physical injury, and injury or damage caused by fire in the event of the failure of a Renesas product, such as safety design for hardware and software including but not limited to redundancy, fire control and malfunction prevention, appropriate treatment for aging degradation or any other applicable measures. Among others, since the evaluation of microcomputer software alone is very difficult, please evaluate the safety of the final products or system manufactured by you.
11. In case Renesas products listed in this document are detached from the products to which the Renesas products are attached or affixed, the risk of accident such as swallowing by infants and small children is very high. You should implement safety measures so that Renesas products may not be easily detached from your products. Renesas shall have no liability for damages arising out of such detachment.
12. This document may not be reproduced or duplicated, in any form, in whole or in part, without prior written approval from Renesas.
13. Please contact a Renesas sales office if you have any questions regarding the information contained in this document, Renesas semiconductor products, or if you have any other inquiries.



**RENESAS SALES OFFICES**

<http://www.renesas.com>

Refer to "<http://www.renesas.com/en/network>" for the latest and detailed information.

**Renesas Technology America, Inc.**  
450 Holger Way, San Jose, CA 95134-1368, U.S.A  
Tel: <1> (408) 382-7500, Fax: <1> (408) 382-7501

**Renesas Technology Europe Limited**  
Dukes Meadow, Millboard Road, Bourne End, Buckinghamshire, SL8 5FH, U.K.  
Tel: <44> (1628) 585-100, Fax: <44> (1628) 585-900

**Renesas Technology (Shanghai) Co., Ltd.**  
Unit 204, 205, AZIA Center, No.1233 Lujiazui Ring Rd, Pudong District, Shanghai, China 200120  
Tel: <86> (21) 5877-1818, Fax: <86> (21) 6887-7858/7898

**Renesas Technology Hong Kong Ltd.**  
7th Floor, North Tower, World Finance Centre, Harbour City, Canton Road, Tsimshatsui, Kowloon, Hong Kong  
Tel: <852> 2265-6688, Fax: <852> 2377-3473

**Renesas Technology Taiwan Co., Ltd.**  
10th Floor, No.99, Fushing North Road, Taipei, Taiwan  
Tel: <886> (2) 2715-2888, Fax: <886> (2) 3518-3399

**Renesas Technology Singapore Pte. Ltd.**  
1 Harbour Front Avenue, #06-10, Keppel Bay Tower, Singapore 098632  
Tel: <65> 6213-0200, Fax: <65> 6278-8001

**Renesas Technology Korea Co., Ltd.**  
Kukje Center Bldg. 18th Fl., 191, 2-ka, Hangang-ro, Yongsan-ku, Seoul 140-702, Korea  
Tel: <82> (2) 796-3115, Fax: <82> (2) 796-2145

**Renesas Technology Malaysia Sdn. Bhd**  
Unit 906, Block B, Menara Amcorp, Amcorp Trade Centre, No.18, Jln Persiaran Barat, 46050 Petaling Jaya, Selangor Darul Ehsan, Malaysia  
Tel: <603> 7955-9390, Fax: <603> 7955-9510